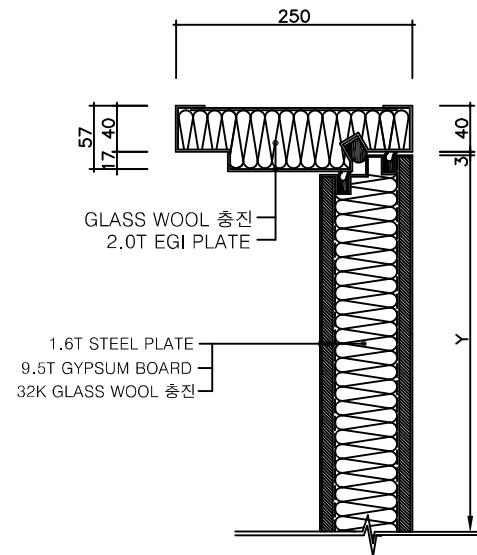
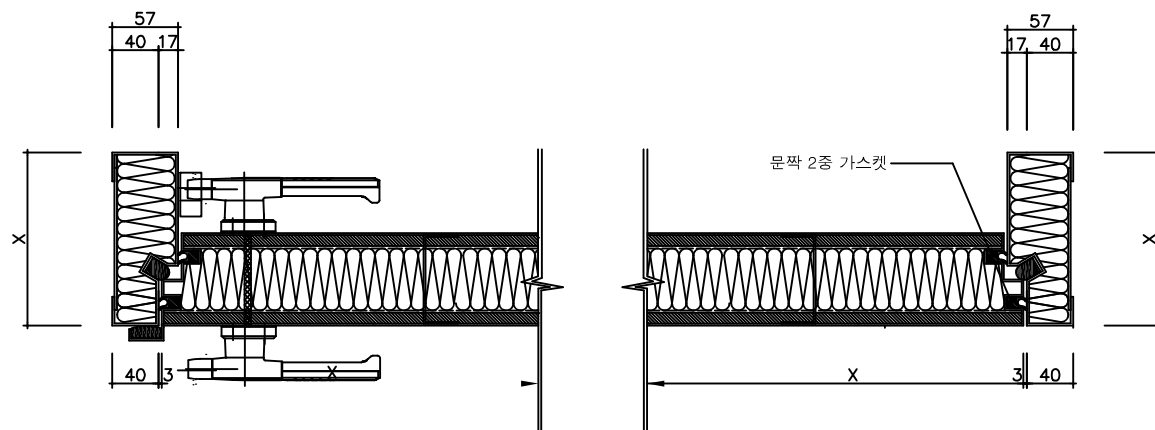


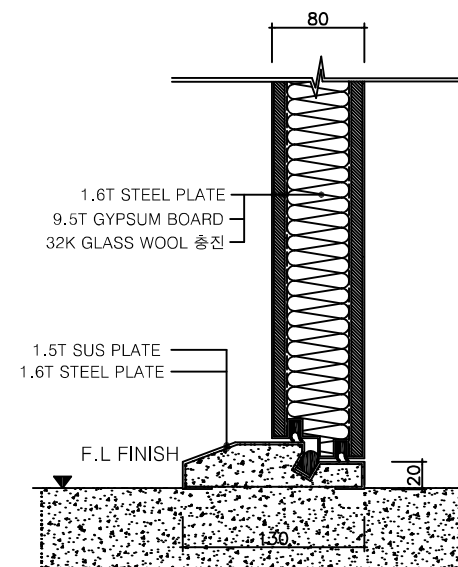
**SINGLE DOOR**  
 (SCALE 1/NONE)



**HEAD SECTION**  
 (SCALE 1/5)



**JAMB SECTION**  
 (SCALE 1/5)



**SILL SECTION**  
 (SCALE 1/5)