

NOTE

ARCHITECTURE DESIGNER BY

STRUCTURE DESIGNER BY

MECHANICAL DESIGNER BY

ELECTRICAL DESIGNER BY

DRAWING BY

CHECKED BY

APPROVED BY

PROJECT TITLE

NAME OF DRAWING

STEEL ???

SCALE

1 / 5 , 1 / NONE

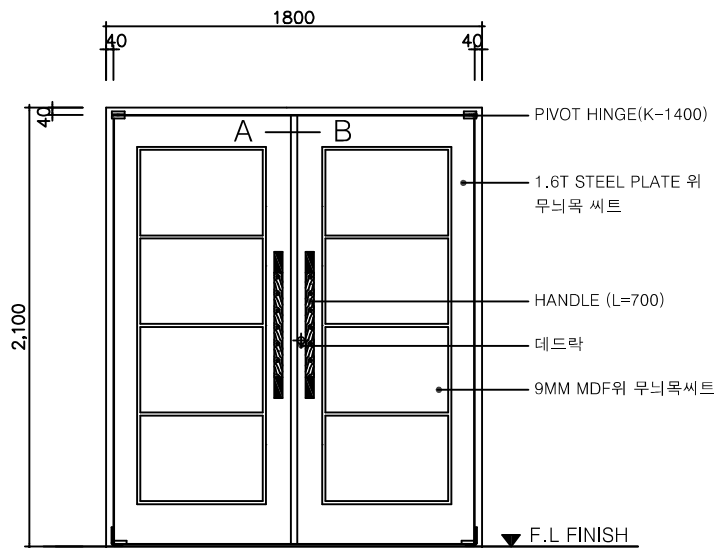
DATE

2007. 03. .

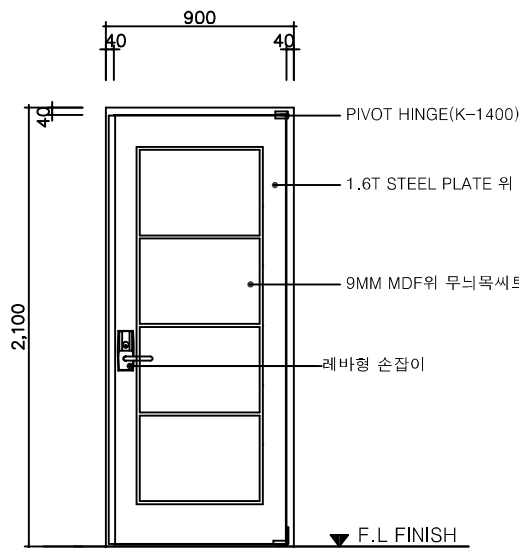
DRAWING NO.

SV. ST - 01 A

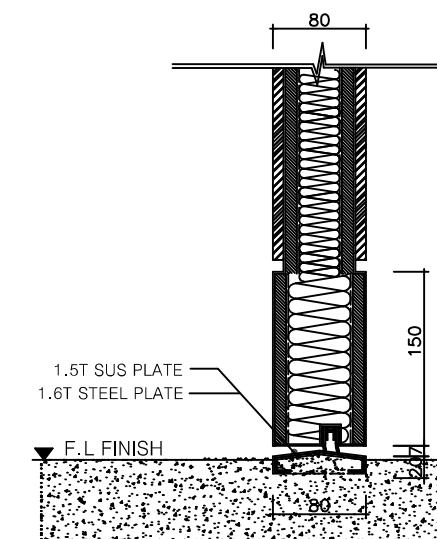
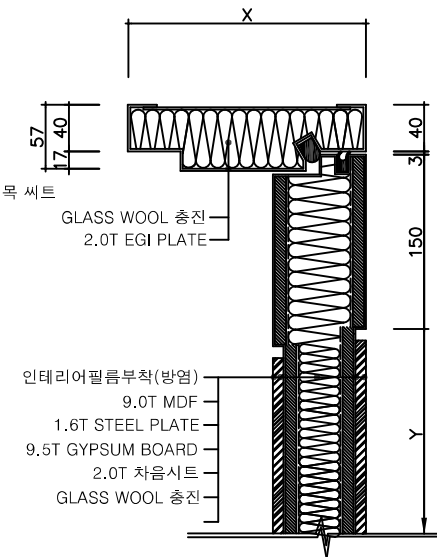
SHEET NO.



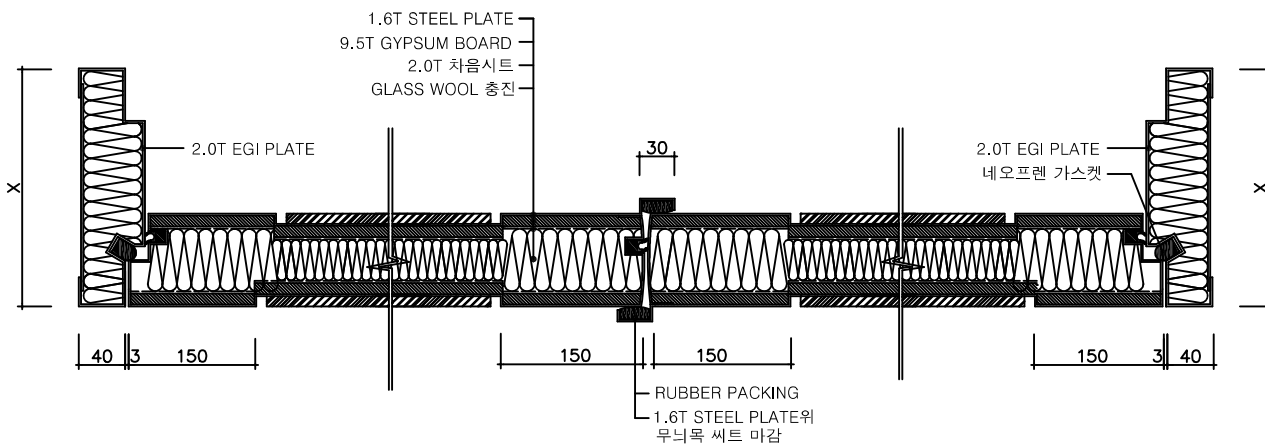
ELEVATION(DOUBLE)
SCALE:NONE



ELEVATION(SINGLE)
SCALE:NONE



VERTICAL SECTION
SCALE:1/2



HORIZONTAL SECTION
SCALE:1/2