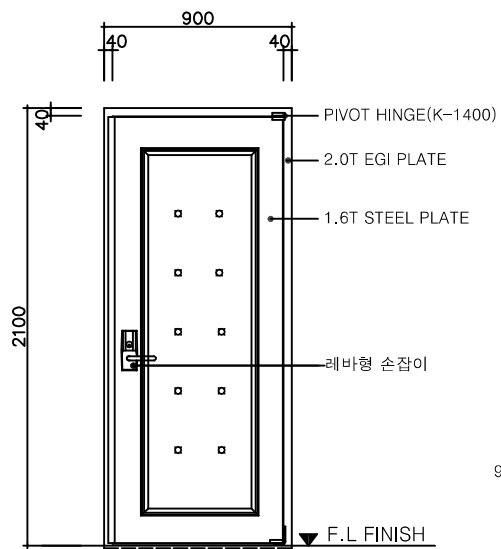
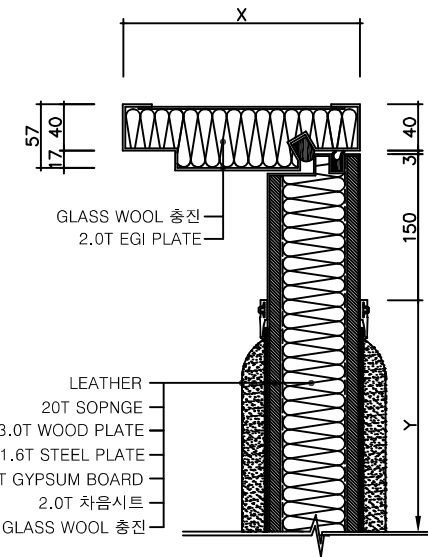


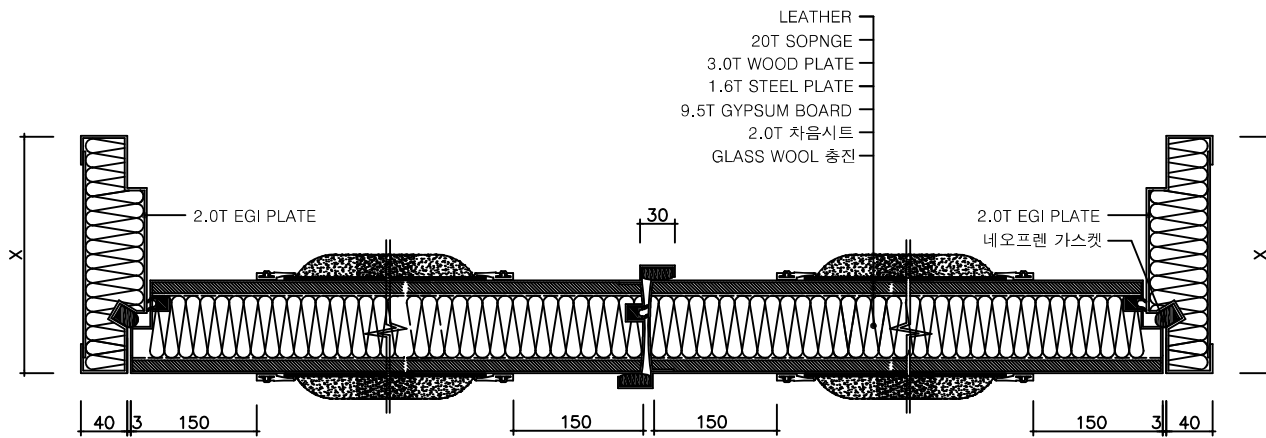
ELEVATION(DOUBLE)
SCALE:NONE



ELEVATION(SINGLE)
SCALE:NONE



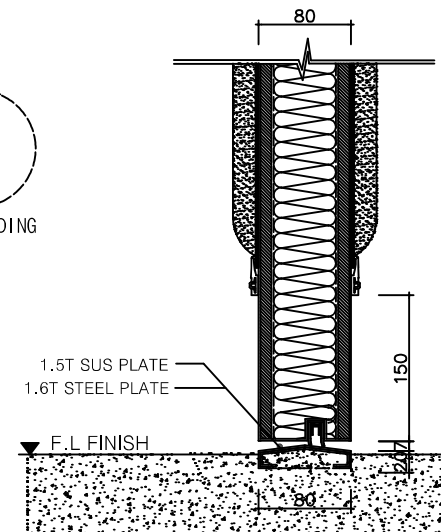
LEATHER
20T SOPNGE
3.0T WOOD PLATE
1.6T STEEL PLATE
9.5T GYPSUM BOARD
2.0T 차음시트
GLASS WOOL 충진



HORIZONTAL SECTION
SCALE:1/2



A.L. MOULDING



VERTICAL SECTION
SCALE:1/2

NOTE

ARCHITECTURE DESIGNEN BY

STRUCTURE DESIGNEN BY

MECHANICAL DESIGNEN BY

ELECTRICAL DESIGNEN BY

DRAWING BY

CHECKED BY

APPROAD BY

PROJECT TITLE

NAME OF DRAWING

STEEL ???

SCALE
1 / 5 , 1 / NONE

DATE
2007. 03. .

DRAWING NO.
SV. ST - 01 A

SHEET NO.