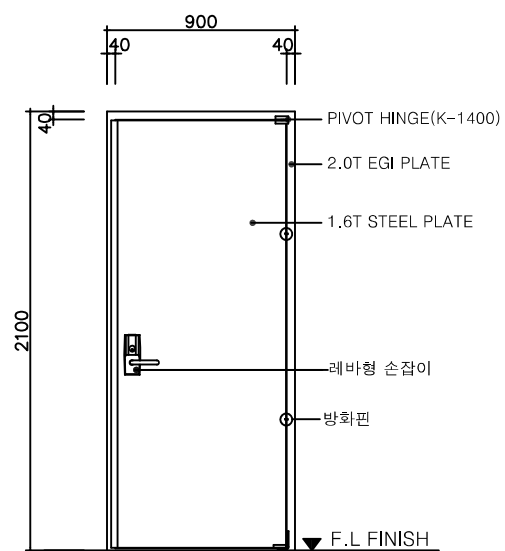
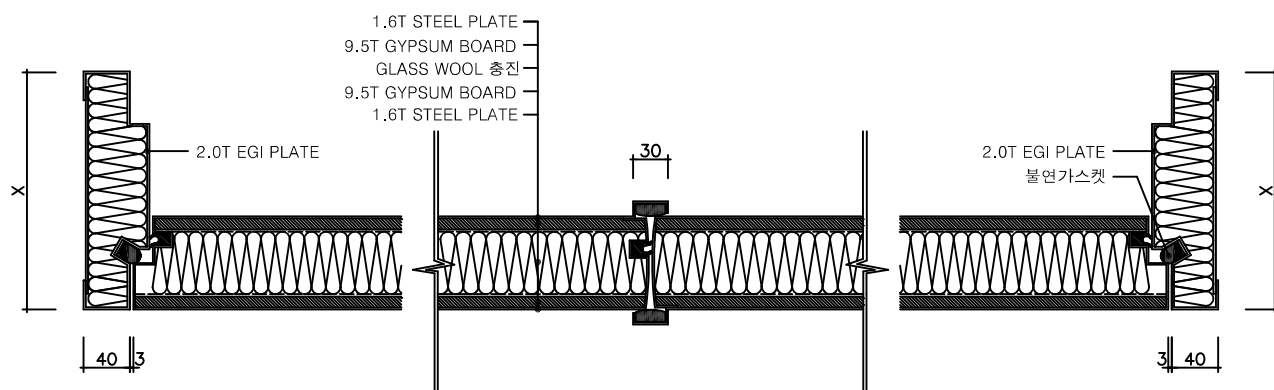
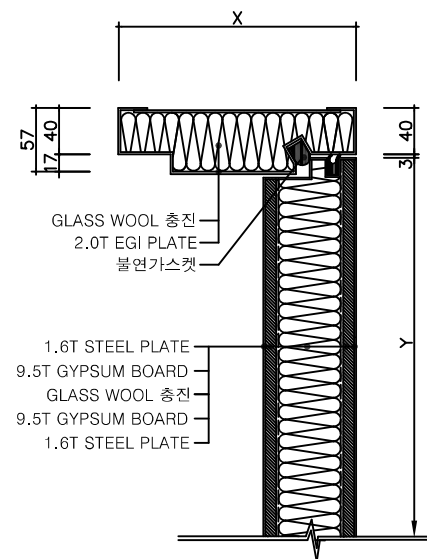


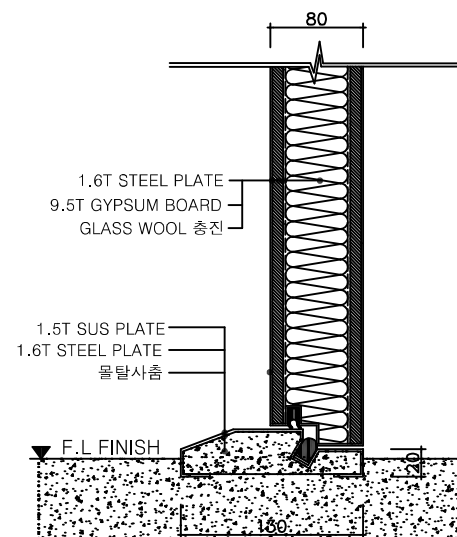
ELEVATION(DOUBLE)  
SCALE: NONE



ELEVATION(SINGLE)  
SCALE: NONE



HORIZONTAL SECTION  
SCALE: 1/2



VERTICAL SECTION  
SCALE: 1/2

NOTE

ARCHITECTURE DESIGNED BY

STRUCTURE DESIGNED BY

MECHANICAL DESIGNED BY

ELECTRICAL DESIGNED BY

DRAWING BY

CHECKED BY

APPROVED BY

PROJECT TITLE

NAME OF DRAWING

스틸방화방음문(턱셀)

SCALE

1 / 5, 1 / NONE

DATE

2018. 08. .

DRAWING NO.

SV. ST - 01 A

SHEET NO.